
AGENDA ITEM SUMMARY

Subject: Consider Resolution 69-21 approving purchase of lights for the Charley Western Trail bridge

Recommendation: Approve Resolution No. 69-21

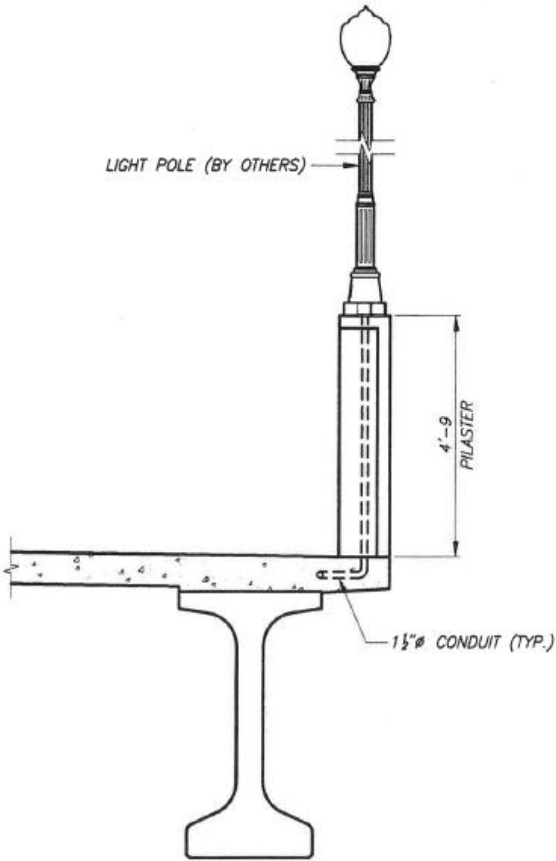
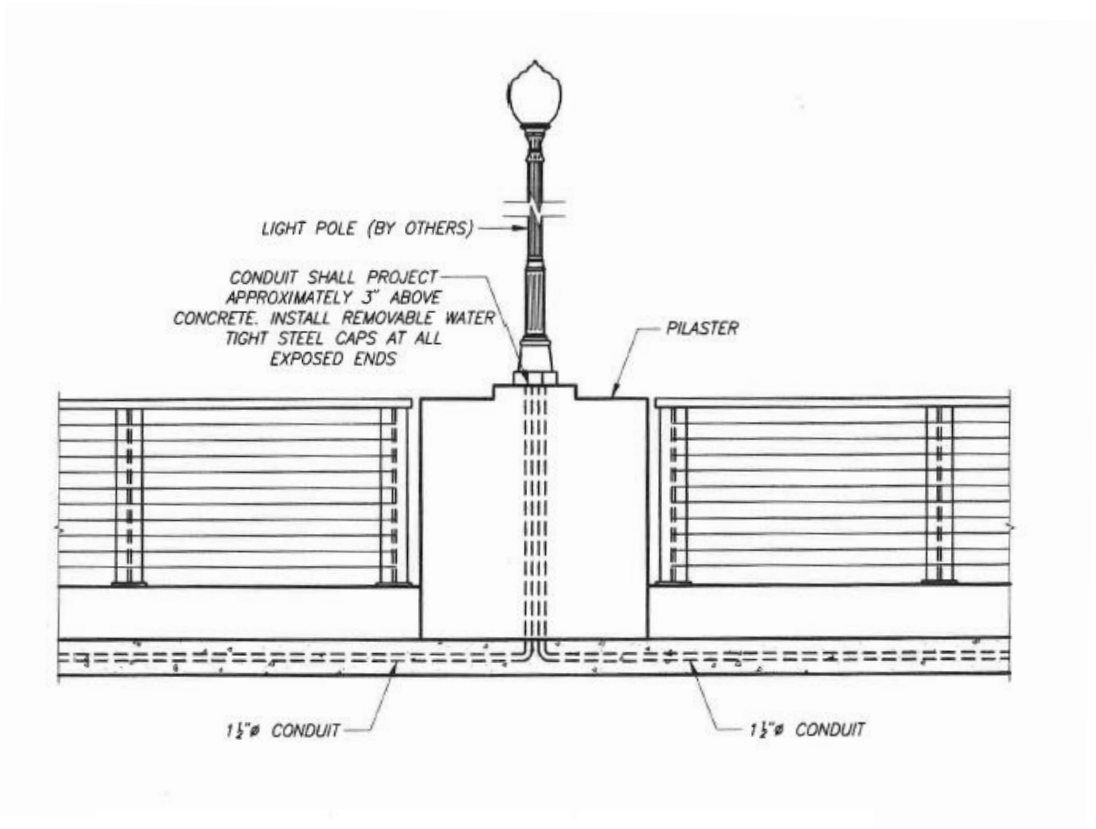
Background Summary:

We have been working with KSA Lighting to develop a lighting plan for the Charley Western Trail including the trail bridge. Godbersen Smith continues to work on the bridge construction, and they are ready to cast the concrete pilasters which will support the lights. The work with KSA has included the selection of a pole so we can cast anchor bolts in the pilasters at the time the concrete is poured.

There will be five (5) lights on the bridge. The poles will be 12 feet in height placed on a concrete pilaster, so the light fixture will be approximately 16 feet above the bridge deck. The cost of each light is \$2,767.00 for a total cost of \$13,835.00. The City will contract separately with an electrician to install the wiring and the lights on the bridge.

We recommend approval of Resolution 69-21 for the purchase of five (5) lights on the Charley Western Trail bridge.

CHARLEY WESTERN TRAIL BRIDGE LIGHTS



RESOLUTION NO. 69-21

RESOLUTION APPROVING PURCHASE OF BRIDGE LIGHTS

WHEREAS, the Charley Western Trail Bridge is currently under construction, and;

WHEREAS, the bridge plans and construction included conduit and concrete pilasters for future lights on the bridge, and

WHEREAS, Crescent Electric Supply Company has submitted a quote of \$13,835.00 for said lights;

WHEREAS, staff is recommending the purchase of these lights;

NOW, THEREFORE, BE IT RESOLVED that the City Council of the City of Charles City, Iowa hereby approves the purchase of bridge lights for \$13,835.00 from Crescent Electric Supply Company.

COUNCIL MEMBER moved the adoption of the foregoing Resolution;

COUNCIL MEMBER seconded the motion to adopt, and on roll call the voting was as follows:

AYES:

NAYS:

Passed and approved this 7th day of June, 2021.

Dean Andrews, Mayor

Attest:

Trudy O'Donnell, City Clerk